



PM Type  
Motors

## Reference Characteristics

Motor Size	PM25L — 024	
Number of Steps per Rotation	24 (15° / Step)	
Drive Method	2 — 2 PHASE	
Drive Circuit	UNIPOLAR CONST. VOLT.	BIPOLAR CHOPPER
Drive Voltage	12 [V]	24 [V]
Current / Phase	400 [mA]	
Coil Resistance / Phase	50 [Ω]	12 [Ω]
Drive IC	25C3346	UDN2916B — V
Magnet Material	Polar anisotropy ferrite sintered magnet (MS50)	
	Nd-Fe-B bonded magnet (MS70)	
Insulation Resistance	100M [Ω] MIN	
Dielectric Strength	AC 500 [V] 1 [min]	
Class of Insulation	CLASS E (U — except lead wire)	
Operating Temp.	— 10 [°C] ~ 50 [°C]	
Storage Temp.	— 30 [°C] ~ 80 [°C]	
Operating Hum.	20 [%] RH ~ 90 [%] RH	

## Applications

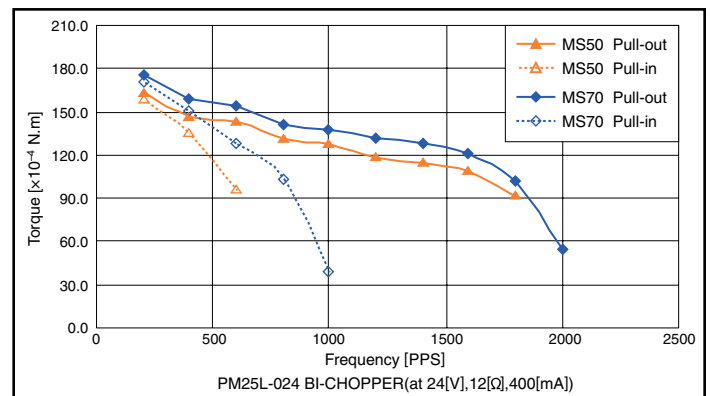
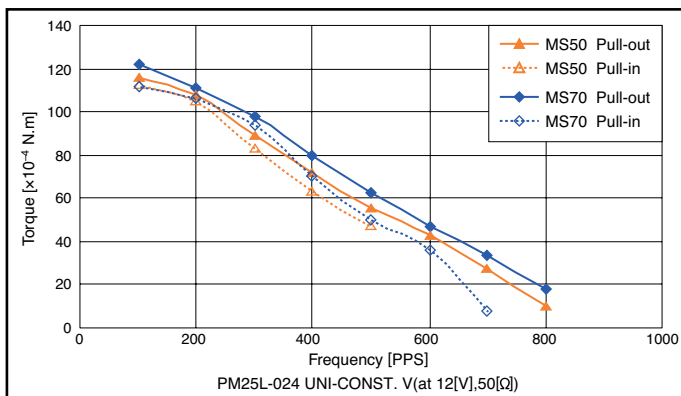
OA Equipment : Printers / Scanners

Automotive : Meters

Home electric appliances : Gas range

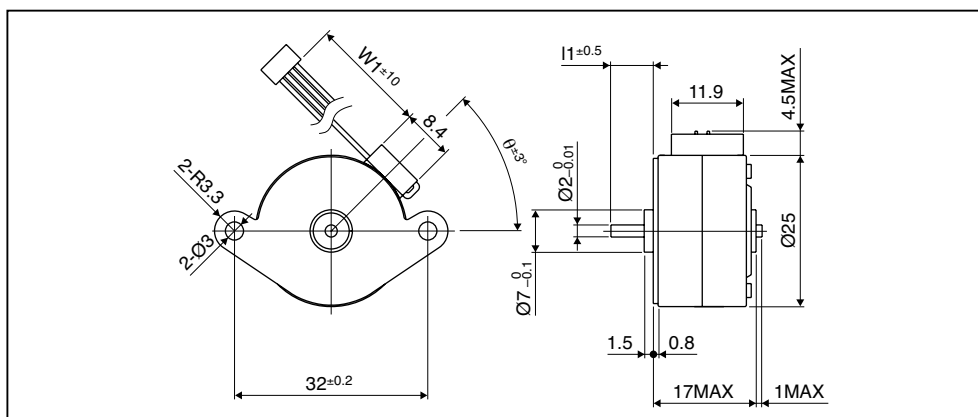
Home automation appliances : Sewing machines

## Torque Characteristics



These torque values are reference only. Heat radiation conditions and temperature rise effect by duty are different on each equipment, therefore please select motors after considering the actual equipment.

## Dimensions



Please contact our sales for inventory and lot information. Specification may be changed without notice.



PM Type  
Motors

## Reference Characteristics

Motor Size	PM25S — 024	
Number of Steps per Rotation	24 (15° / Step)	
Drive Method	2 — 2 PHASE	
Drive Circuit	UNIPOLAR CONST. VOLT.	BIPOLAR CHOPPER
Drive Voltage	24 [V]	24 [V]
Current / Phase		300 [mA]
Coil Resistance / Phase	70 [ $\Omega$ ]	20 [ $\Omega$ ]
Drive IC	25C3346	UDN2916B — V
Magnet Material	Nd-Fe-B bonded magnet (MS70)	
Insulation Resistance	100M [ $\Omega$ ] MIN	
Dielectric Strength	AC 500 [V] 1 [min]	
Class of Insulation	CLASS E (U — except lead wire)	
Operating Temp.	- 10 [°C] ~ 50 [°C]	
Storage Temp.	- 30 [°C] ~ 80 [°C]	
Operating Hum.	20 [%] RH ~ 90 [%] RH	

## Applications

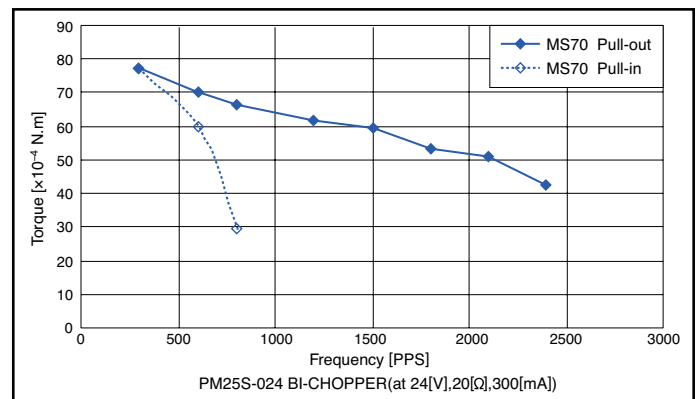
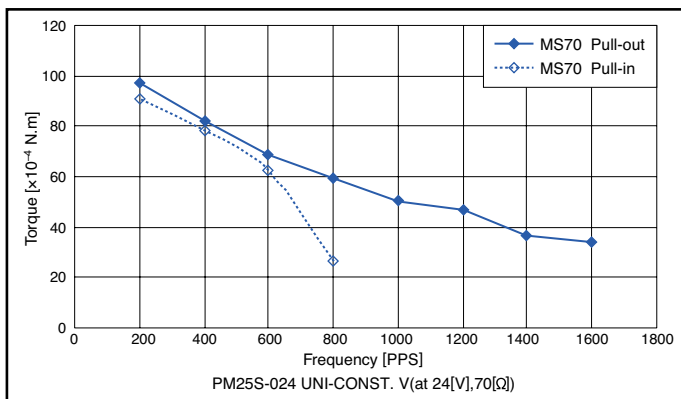
OA Equipment : Printers / Scanners

Automotive : Meters

Home electric appliances : Gas range

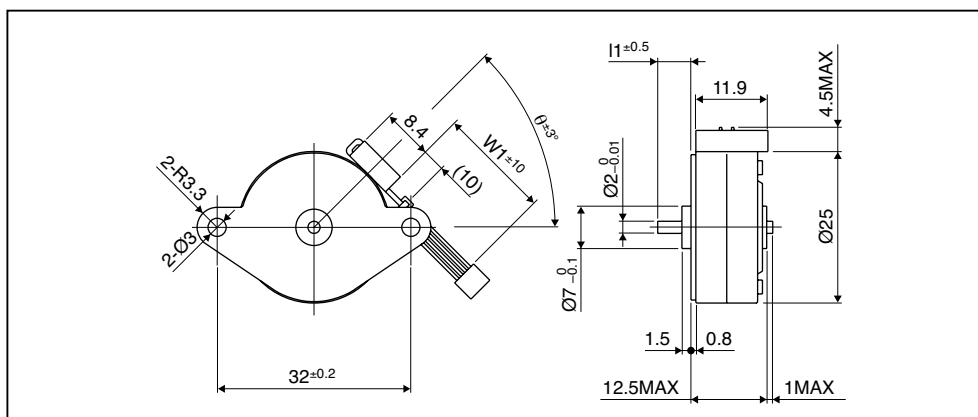
Home automation appliances : Sewing machines

## Torque Characteristics



These torque values are reference only. Heat radiation conditions and temperature rise effect by duty are different on each equipment, therefore please select motors after considering the actual equipment.

## Dimensions



Please contact our sales for inventory and lot information. Specification may be changed without notice.



PM Type  
Motors

## Reference Characteristics

Motor Size	PM25S — 048	
Number of Steps per Rotation	48 (7.5° / Step)	
Drive Method	2 — 2 PHASE	
Drive Circuit	UNIPOLAR CONST. VOLT.	BIPOLAR CHOPPER
Drive Voltage	24 [V]	24 [V]
Current / Phase		400 [mA]
Coil Resistance / Phase	65 [Ω]	15 [Ω]
Drive IC	25C3346	UDN2916B — V
Magnet Material	Nd-Fe-B bonded magnet (MS70)	
Insulation Resistance	100M [Ω] MIN	
Dielectric Strength	AC 500 [V] 1 [min]	
Class of Insulation	CLASS E (U — except lead wire)	
Operating Temp.	- 10 [°C] ~ 50 [°C]	
Storage Temp.	- 30 [°C] ~ 80 [°C]	
Operating Hum.	20 [%] RH ~ 90 [%] RH	

## Applications

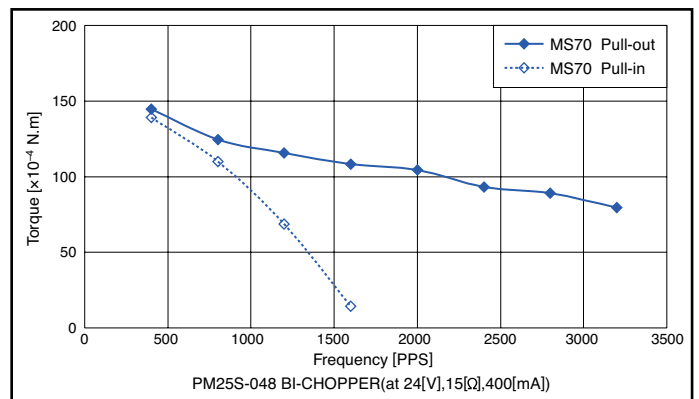
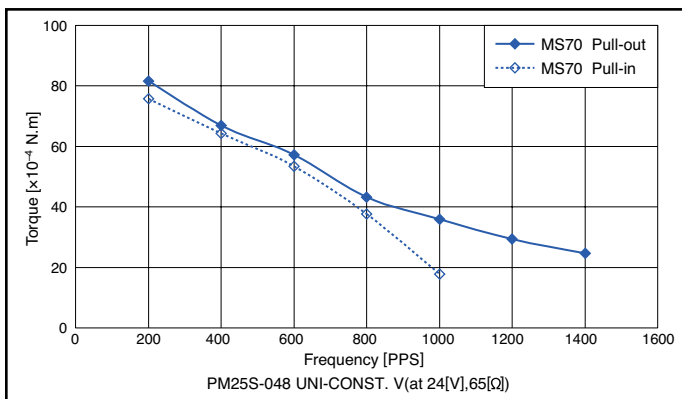
OA Equipment : Printers / Scanners

Automotive : Meters

Home electric appliances : Gas range

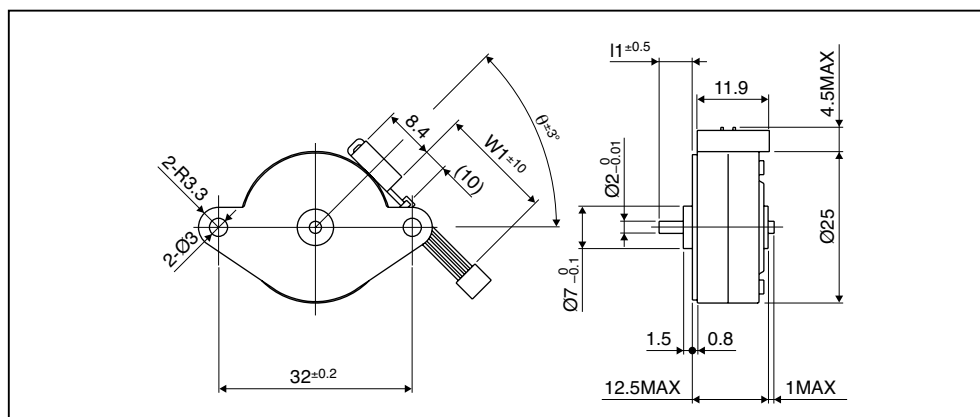
Home automation appliances : Sewing machines

## Torque Characteristics



These torque values are reference only. Heat radiation conditions and temperature rise effect by duty are different on each equipment, therefore please select motors after considering the actual equipment.

## Dimensions



Please contact our sales for inventory and lot information. Specification may be changed without notice.